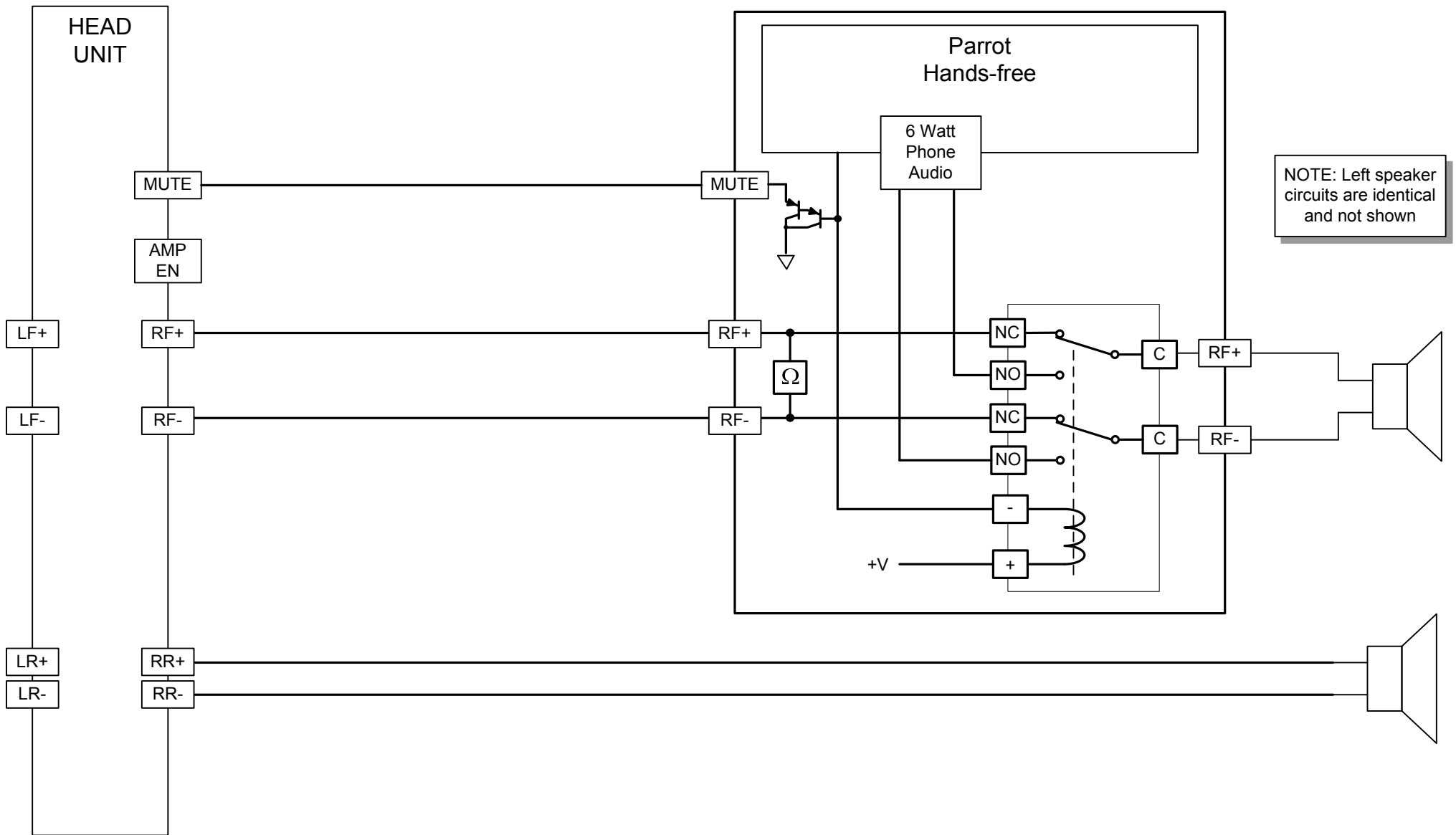


NOTE: Left speaker circuits are identical and not shown

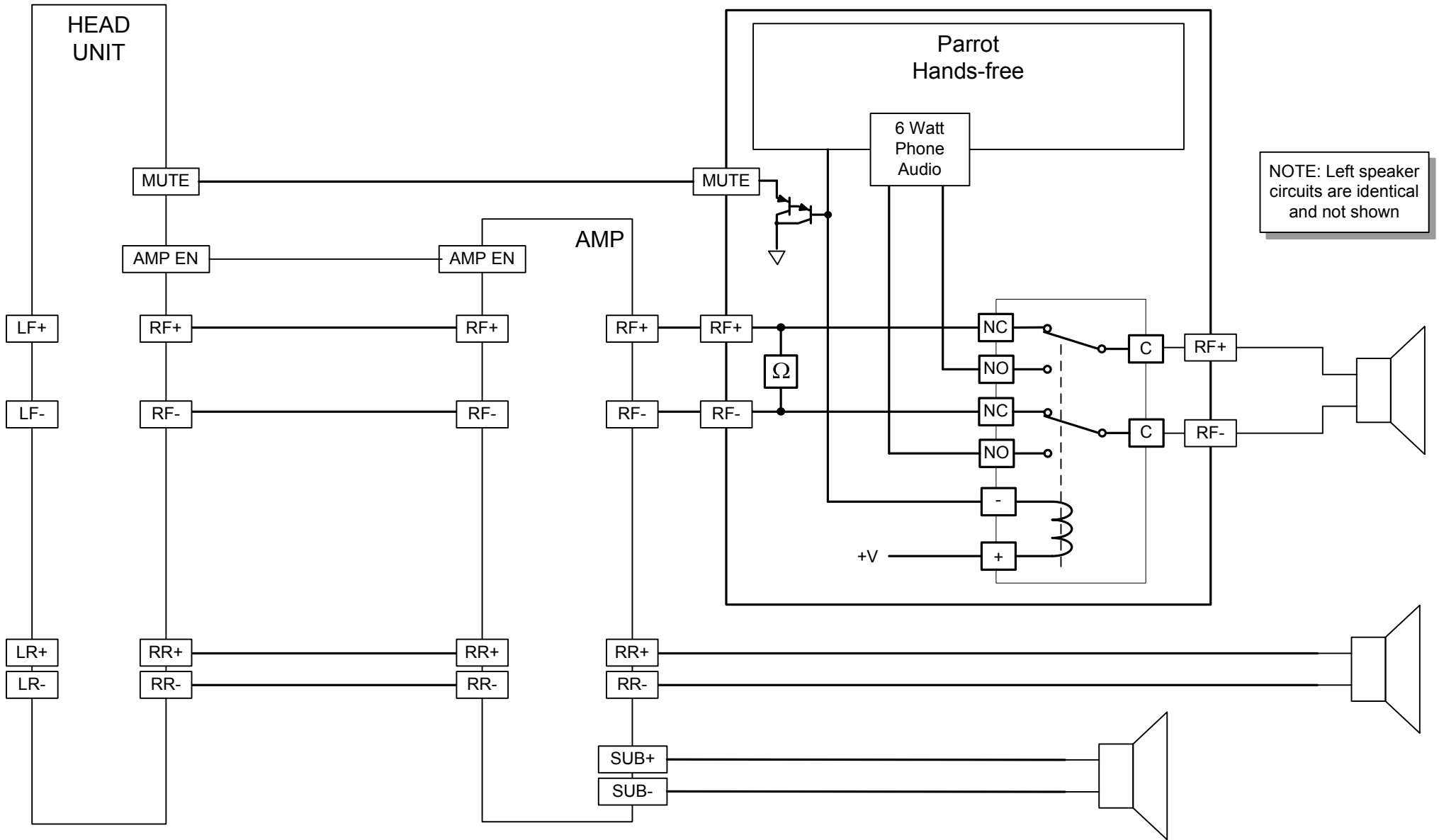
**SIMPLE FOUR DOOR SPEAKER SYSTEM**

- 1> Muting is not required – All speakers are switched
- 2> 6 Watt phone audio switched to both front speakers
- 3> Rear speakers are switched off while phone is active
- 4> Parrot terminations can handle up to 25 Watts RMS



**HIGH POWER FOUR DOOR SPEAKER SYSTEM**

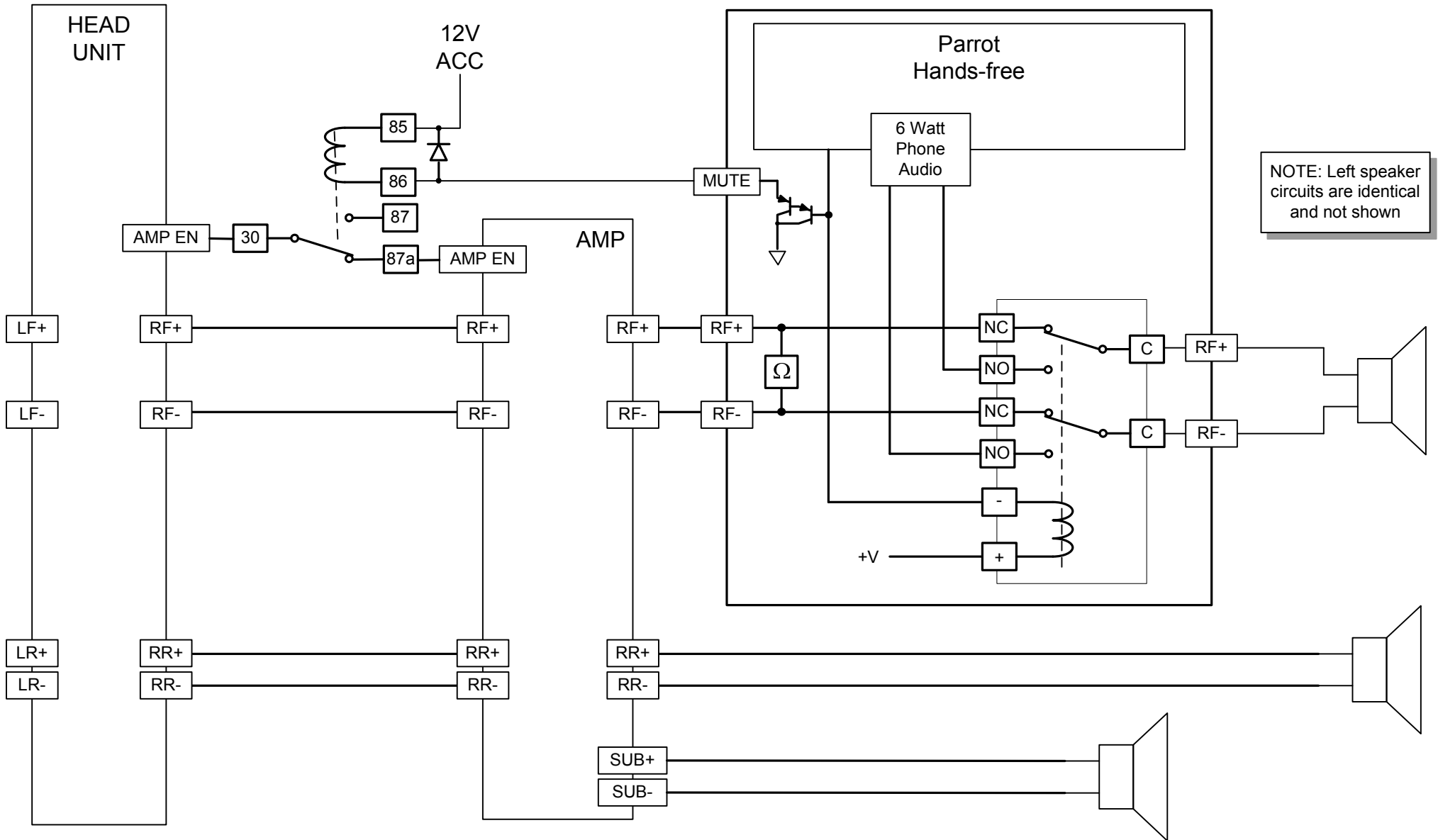
- 1> Muting is required for high power head units
- 2> 6 Watt phone audio switched to both front speakers
- 3> Rear speakers are muted while phone is active



NOTE: Left speaker circuits are identical and not shown

**AMPLIFIED SPEAKER SYSTEM**

- 1> Muting is required for amplified systems
- 2> 6 Watt phone audio switched to both front speakers
- 3> Head unit Mute controls Amplifier Enable line



NOTE: Left speaker circuits are identical and not shown

**PREMIUM OEM SYSTEM**

- 1> If Muting is not available – Shut down amplifier(s)
- 2> 6 Watt phone audio switched to both front speakers
- 3> Diode on external relay is required – Stripe side to +12